

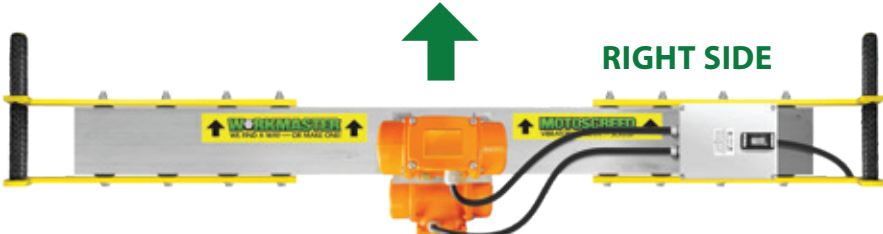
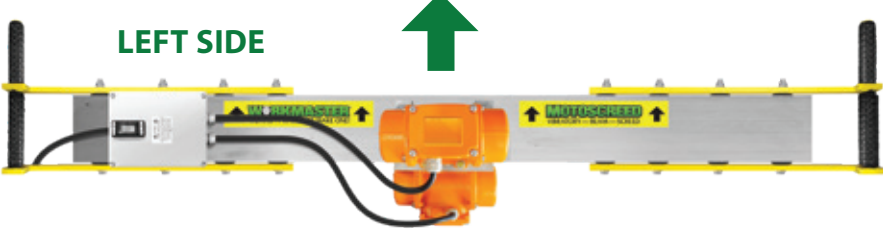
MOTOSCREED™

CONTROL OPTIONS

WORKMASTER®

WE FIND A WAY — OR MAKE ONE!

The **MOTOSCREED™ Vibratory Beam Screed** is shipped with its ON/OFF control wiring-harness fastened to either the left-side or the right-side of the Beam (Beam moving in the forward direction along the Form). The right-side/left-side decision is based on Customer's plant electrical layout, since attaching the Screed's ON/OFF controls on the same side as plant's electrical supply minimizes cordage and job site clutter.

WIRING ORIENTATION	SIZE	P/N
 <p style="text-align: center;">RIGHT SIDE</p>	6ft	VS-14206
	8ft	VS-14208
	12ft	VS-14212
	18ft	VS-14218
 <p style="text-align: center;">LEFT SIDE</p>	6ft	VS-14106
	8ft	VS-14108
	12ft	VS-14112
	18ft	VS-14118