

# MODEL BR BRUSH TYPE BELT CLEANER

A "Best Buy" in brush type belt cleaners. Check the features and quality of construction, then check the price and convince yourself there's no better buy than the **MODEL BR** brush type cleaner. This unit has proven itself in years of trouble free service to all industries.

The **MODEL BR** uses an electric motor to drive a helically shaped open face brush. The brush is self-cleaning and will not load. Standard bristles are long lasting nylon. Oil tempered wire, and polypropylene bristles are also available. Replacement bristle sets are inexpensive and very easy to install.

Brushing pressure is easily regulated using a threaded rod assembly, and a special sheave arrangement allows for field adjustment of rotation speed. The brush frame is rigidly constructed to ensure even brush/belt pressure and contact. Entire assembly adjusts both in height and width to fit any size conveyor frame.

The **MODEL BR** cleaner comes complete and ready to install. Simply bolt or weld to conveyor frame and hook up to power source.

## COMPLETE AND READY TO INSTALL!

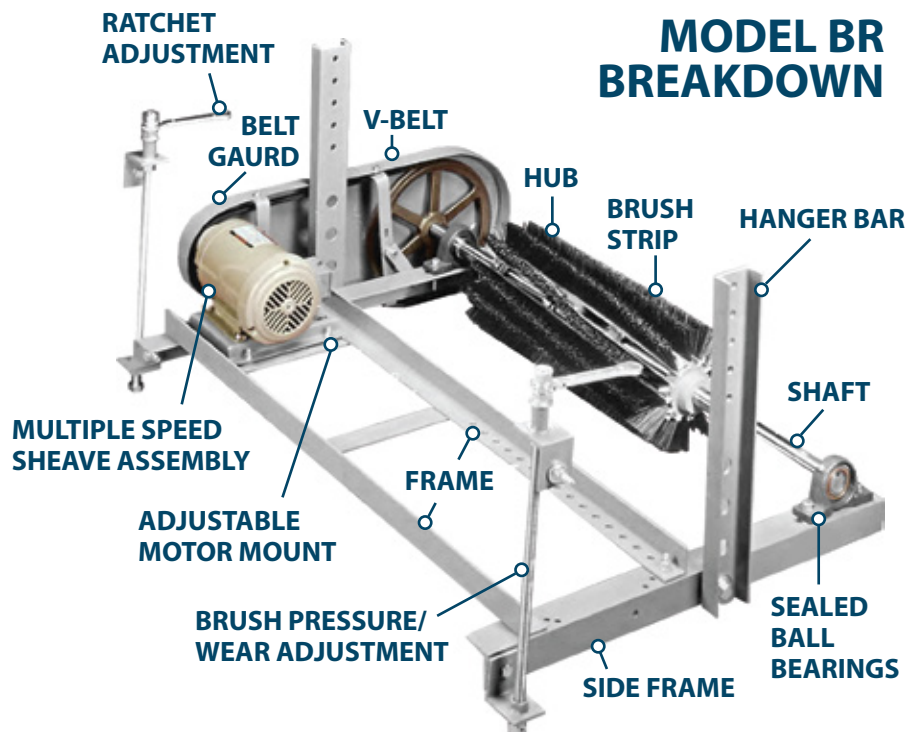
### FINEST BRUSH AVAILABLE

Our standard brush consists of twelve helically shaped brush strips held in cast iron hubs. Replacement strips are easily and quickly inserted. Open face insures non-loading. All bristle sizes and types are interchangeable.

### SPECIAL BRUSH ENGINEERING SERVICE

For other than standard applications our engineering department welcomes the opportunity to assist in the proper selection of equipment.

- Special bristle length, diameters and types are available.
- Unit size or design can be changed if space is a problem
- Brush width can vary for odd sized belts from 6" to 108".

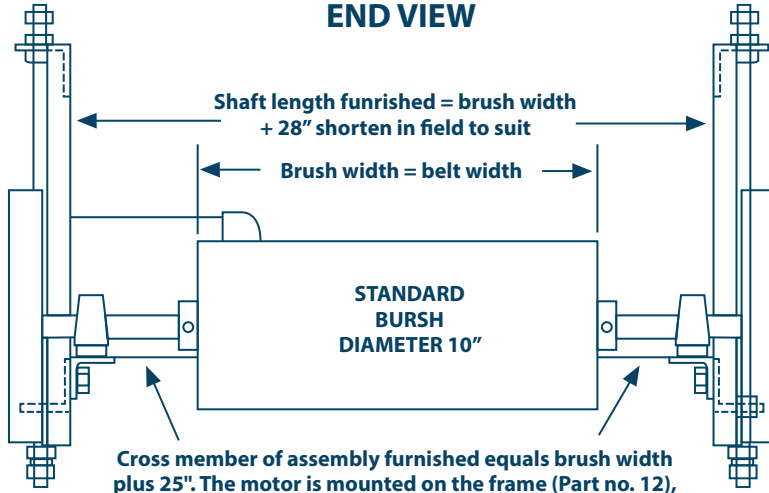


## MODEL BR BREAKDOWN

# MODEL BR

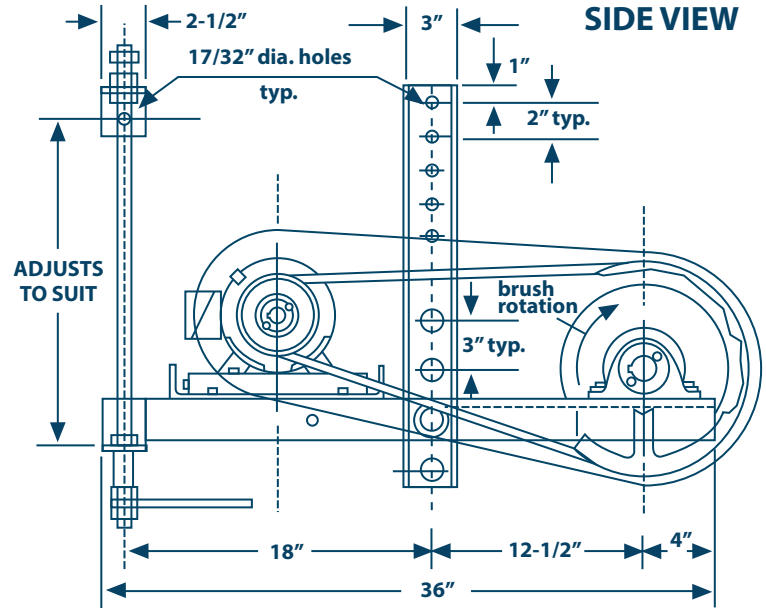
## BRUSH TYPE BELT CLEANER

**END VIEW**



Cross member of assembly furnished equals brush width plus 25". The motor is mounted on the frame (Part no. 12), and the frame can be mounted so motor, pulleys, and guard are on the side easiest for servicing and maintenance. Other end is predrilled at intervals for easy field assembly. Excess cross member assembly is cut off in field.

**SIDE VIEW**



**MOTOR** - totally enclosed, fan cooled, three phase, 60 Hz, 230/460 volts, 1150 RPM. High starting torque. Designed to operate in extremely dusty and dirty atmospheric conditions.

BRUSH WIDTH	MOTOR HP	SHAFT DIA.
8	1	1-7/16
12	1	1-7/16
16	1	1-7/16
18	1	1-7/16
20	1	1-7/16
24	1	1-7/16
30	1	1-7/16
36	1	1-7/16
42	1	1-7/16
48	2	1-15/16
52	2	1-15/16
60	2	1-15/16
72	2	1-15/16
84	2	1-15/16

### BRUSH SPEED CHART

(Conversion to feet per minute [FPM])

RPM	278	427	547
FPM*	728	1117	1433

\*FPM speeds are surface speeds for 10" brush for RPM indicated.

### INSTALLATION INSTRUCTIONS:

- Locate centerline of brush under centerline of head pulley if possible. Brush can be located anywhere along return run if necessary
- Belt should be flat where brush engages it
- Bristle ends should just touch belt. Unnecessary pressure causes wiping action rather than brushing
- Motor should be wired so that it starts and stops with operation of conveyor
- Brush rotates against travel of belt
- Brush surface speed should approximate two times belt speed but not slower than 200 RPM. Multiple sheave arrangement allows choice of three brush speeds of 278, 427, or 547 RPM. Slowest speed to give acceptable cleaning should be used

# MODEL BR

## BRUSH TYPE BELT CLEANER

### DETERMINING BRISTLE TYPE

Our standard bristle is long wearing, crimped, black nylon with a plated steel backing. This bristle has a 3" trim length. We recommend the nylon bristle unless the chemical composition of the material carried on the belt would break down the nylon. The most common material with a detrimental effect on nylon is a solvent with an alcohol base.

Optional Bristle materials are: Crimped Black Polypropylene and Crimped Oil tempered wire. The polypropylene bristle has a trim length of 3" and the wire bristle a trim length of 3". Polypropylene is more universally resistant to various chemicals, such as solvents with an alcohol base, but does not have nylon's abrasion resistance. Oil tempered wire is recommended where on-belt temperatures can exceed 200°F.



### DETERMINING BRISTLE SIZE

Our standard Nylon Bristle is available in 0.014", 0.028" and 0.040" diameter. Polypropylene Bristles are available in the same diameters. The Crimped Oil Tempered Wire Bristle is available in 0.010" diameter only.

To determine the proper bristle size for your application two factors must be considered:

1. Carryover weight - heavy, medium or light
2. Carryover condition - wet, tacky or dry

The larger bristle sizes are used on heavy carryovers and on wet or tacky carryovers. Light, dry carryovers require the smaller diameter bristles. If in your application the carryover is between these two extremes specify the larger diameter bristle. The following guide will aid in selection of proper bristle size.

APPLICATION GUIDE	CARRY OVER		BRISTLE DIAMETER		
	Weight	Condition	Nylon	Polypropylene	Tempered
<b>Aggregate</b>	Heavy	Wet or dry	.040	.040	.010
<b>Cement – Raw Material</b>	Heavy	Wet	.040	.040	.010
<b>Cement – Dust</b>	Light	Dry	.028	.028	.010
<b>Cereal</b>	Light	Dry	.014	.014	.010
<b>Coal</b>	Medium	Wet or dry	.040	.040	.010
<b>Copper Ore</b>	Heavy	Wet or dry	.040	.040	.010
<b>Fertilizer</b>	Medium	Dry	.028	.028	.010
<b>Iron Ore</b>	Heavy	Wet or dry	.040	.040	.010
<b>Lead Ore</b>	Heavy	Wet or dry	.040	.040	.010
<b>Lime (burned)</b>	Light	Dry	.28	.28	.010
<b>Limestone</b>	Heavy	Tacky	.040	.040	.010
<b>Metal Chips</b>	Heavy	Wet	.040	.040	.010
<b>Phosphate</b>	Heavy	Slurry	.040	.040	.010
<b>Sinter</b>	Heavy	Wet	.040	.040	.010
<b>Taconite Ore</b>	Heavy	Wet or dry	.040	.040	.010

# AIRMATIC<sup>®</sup> INC

...HELPING PRODUCERS EXCEL!<sup>®</sup>

**AIRMATIC<sup>®</sup> INC** founded in 1944, is a woman-owned Industrial Distributor, with installation and maintenance capabilities, offering equipment, machinery, and shop supplies to the Industrial, Construction, Utility, Government, and Commercial Markets. Our products and services are sold through three business units:

The **MATERIALS MANAGEMENT GROUP** provides products and services to industries that convey, store, transport, and process powders and bulk solids from aggregates, cement, and chemicals to foods, grains, metals, power generation, and waste water treatment applications;

The **SERVICE GROUP** provides fabrication, installation, and maintenance services to improve bulk materials handling efficiency; mechanical clean-out services for silos and hoppers to eliminate material flow problems; and shop repair/rebuilding and modifications services of products sold by the Company. Our Customers tell us that by choosing AIRMATIC to solve their problems, they gain increased productivity, decreased costs, and a safer, cleaner work environment.

The **TOOL GROUP** provides power tools, personal protective equipment, materials-handling equipment, shop equipment and MRO supplies used for production, fabrication, assembly, metal removal, maintenance, and storage in manufacturing, construction, utility, and commercial applications.

800.332.9770 Toll Free  
+1 215.333.5600 International



888.964.3866 Toll Free  
+1 215.331.9770 International



[www.airmatic.com](http://www.airmatic.com)



[infocenter@airmatic.com](mailto:infocenter@airmatic.com)



284 Three Tun Rd. Malvern PA, 19355

